

MAINTENANCE-FREE BATTERY VRLA DEEP CYCLE

VPRO SOLAR 160Ah 12V

INDEKS: 6AKXDEEP16
EAN: 5904100450381

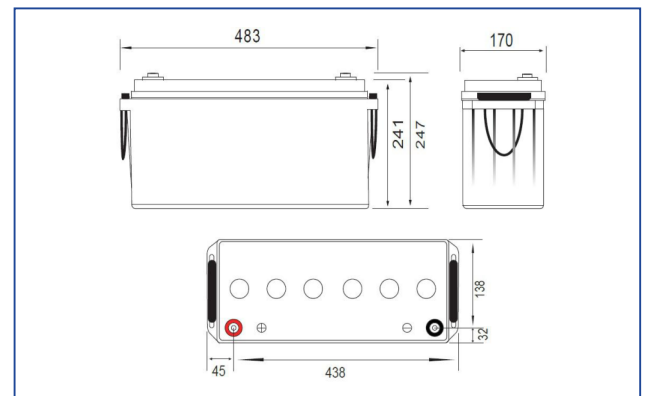
DEEP CYCLE batteries by **VOLT POLSKA** are superior deep cycle design with thick plates, high-density active materials and slightly stronger electrolyte, which can withstand repeated deep cyclic applications. **The general features are:** safety sealing, non-spillable construction, high power density, excellent recovery from deep discharge, thick plates and high active materials, longer life and low self-discharge design. **DEEP CYCLE batteries** have 8-10 years design life at 25°C. They can be applied in solar and wind power system, emergency power system, communication equipment, telecommunication systems, marine equipment, uninterruptible power supplies, medical equipment, fire and security system.

Main technical data:

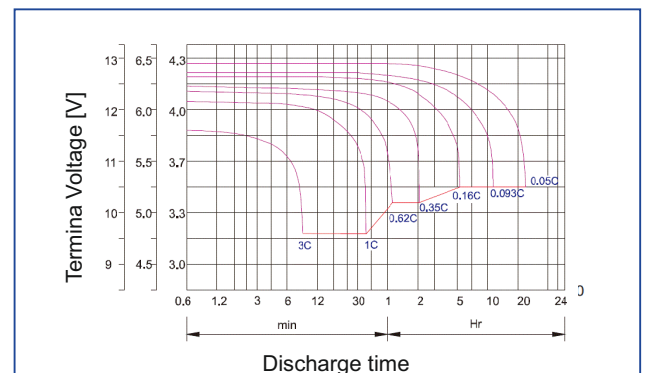
Nominal voltage	12V	
Rated capacity	160 Ah	
Dimension	total height	247 mm
	height	241 mm
	width	170 mm
	length	483 mm
Approx Weight	43.3kg (95.04lbs) +/- 3%	

Other specification:

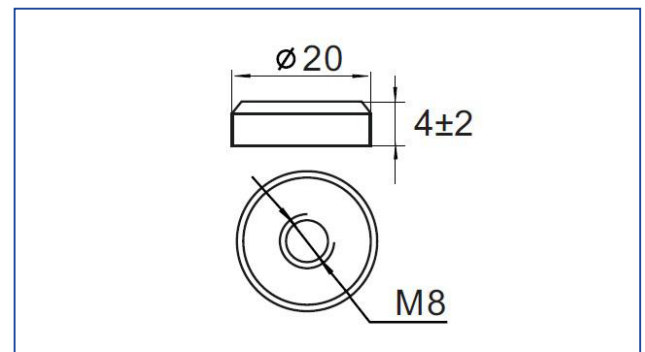
Capacity (at 25°C)	20h (10,5V)	160 Ah
	10h (10,5V)	150 Ah
	3h (10,2V)	112,5 Ah
	1h (9,6V)	90 Ah
Internal Resistance		~ 3mΩ
Capacity affected by temperature	40°C	102%
	25°C	100%
	0°C	85%
	-15°C	65%
Self discharge (at 25°C)	3 months	91%
	6 months	82%
	12 months	65%
Working temperature		25°C +/- 3°C
Working temperature	Discharge	-15°C to 50°C
	Charge	-10°C to 50°C
	Storage	-20°C to 50°C
Float Use (25°C)	13,5 VDC	13,8 VDC
Cycle Use (25°C)	14,4 VDC	14,7 VDC
Max charging current		45 A
Max discharge current		1200 A (5 s)
Design life (25°C)		8-10 years



Dimension



Discharge characteristic curve at 25°C



Terminal type (mm):